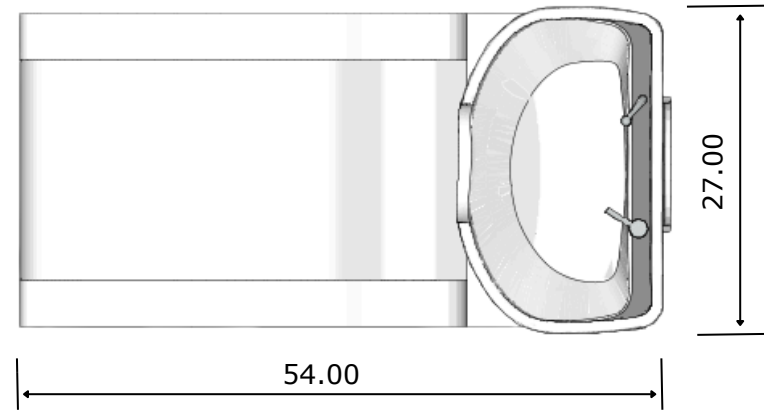
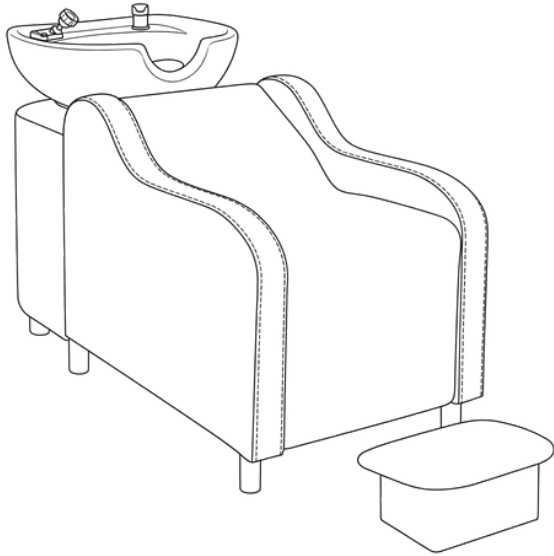


Nautilus Tall Shampoo System

Model #5985-TALL

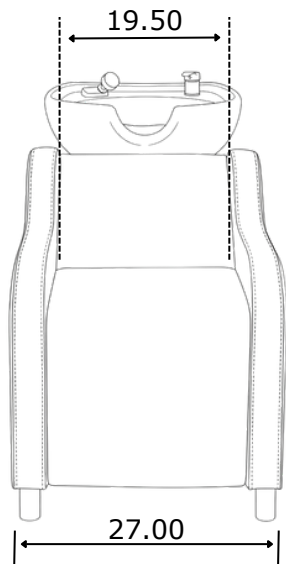
All units in INCHES
Accuracy: +/- 1/4"

Drain Size: 1 1/4" Tubular Hot/
Cold Supply: 1/2" FIP Flow Rate 2GPM
(Plumbable from floor or wall)

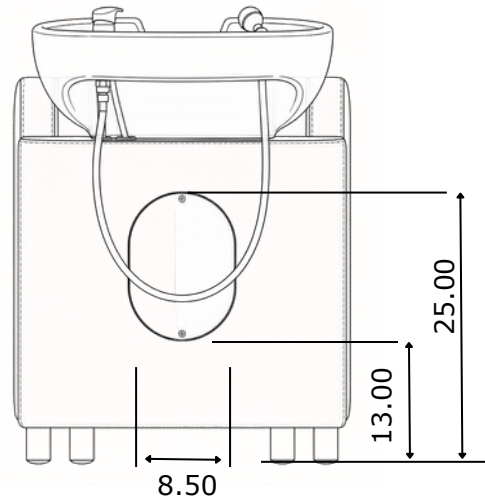


Top

Front



Back



Side

